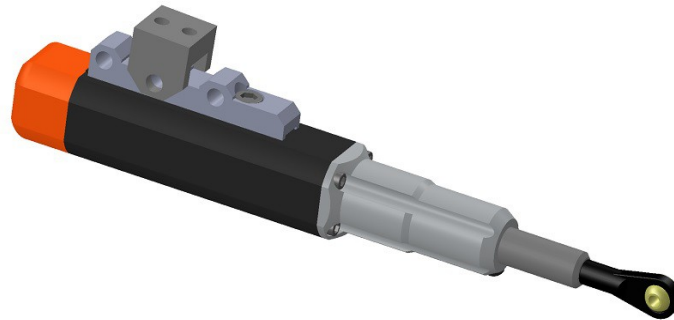


# Linear Actuator-25mm



## Specifications:

**Weight:** 45g (cable and bracket included)

**Voltage Supply:** 4.5-8.4V

**Max current:** 1.1A Thrust at Max current 8kg

**Cycle time:** 2.5-4.5 sec in function of Voltage, door weight, and position.

**Stroke:** 25mm no adjustable. Current limitation in case of obstruction.

**Operation:** Can be controlled direct from a receiver, RS-200 or GS-200

**Include:** Adjustable bracket, Ball link installed.

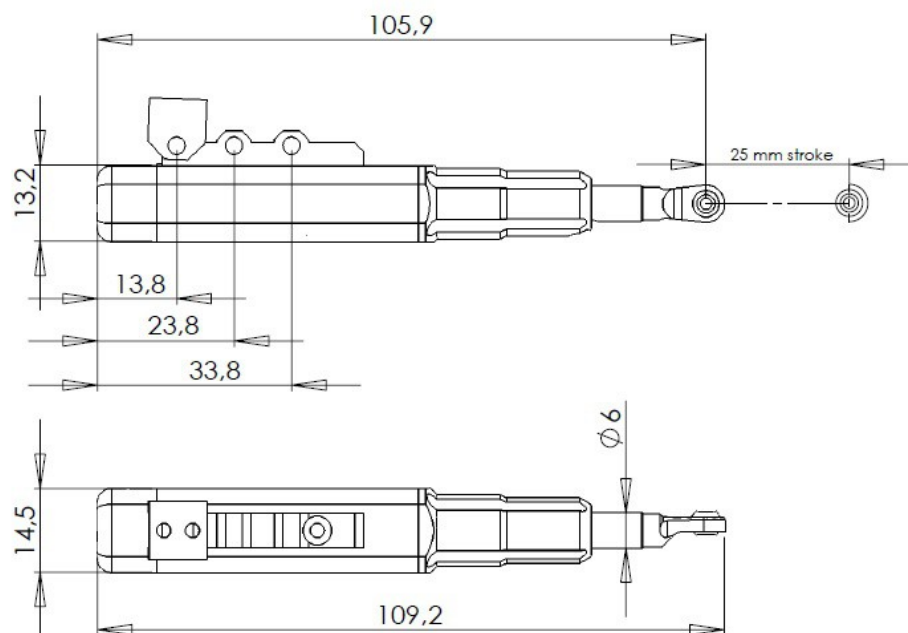
Lineal Actuator, designed to move the RC planes gear doors. Manufactured in aeronautical aluminium 7075-T6 with CNC machines. All parts are anodized, and manufactured with very small tolerances. The control unit is integrated inside the actuator housing. The result is a very compact and robust system. The innovative installation bracket adjustable in 3 points, and their small size, allow install this in small places.

## Voltage supply:

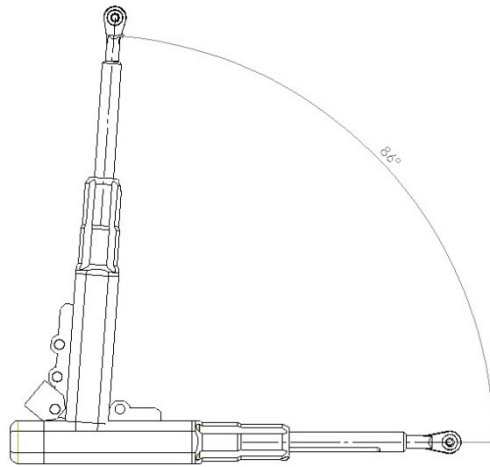
The Actuator can be operated directly from a **Receiver (all brands), or Electron controllers (RS-200 or GS-200)**.

Must consider that the controllers RS-200, and GS-200 use the receiver batteries to power the doors outputs, so this means, that the voltaje received, will be the same as voltaje received by the servos. As sample: If the receiver is powered with 4.8V, and the retracts controller is powered with 2S LiPo (7-4V), the Linear Actuators will receive 4.8V, NO 7.4V

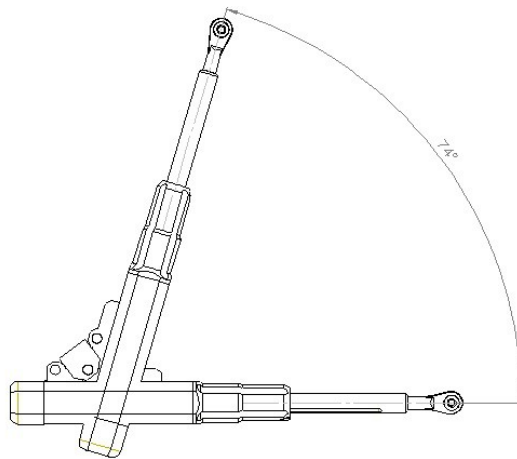
## Main Dimensions:



**Max oscillation angle with adjustable bracket, in ponit 1:**



**Max oscillation angle with adjustable bracket, in ponits 2 & 3:**



To change the bracket point is necessary extract the socket screws installed at both fork sides. Both socket screws are opposite, to be fastened, after tight at the same time with two allen keys. **To secure this is important tight both socket screws with a minimum torque.** This step, will liberate the actuator spin around this "axle".